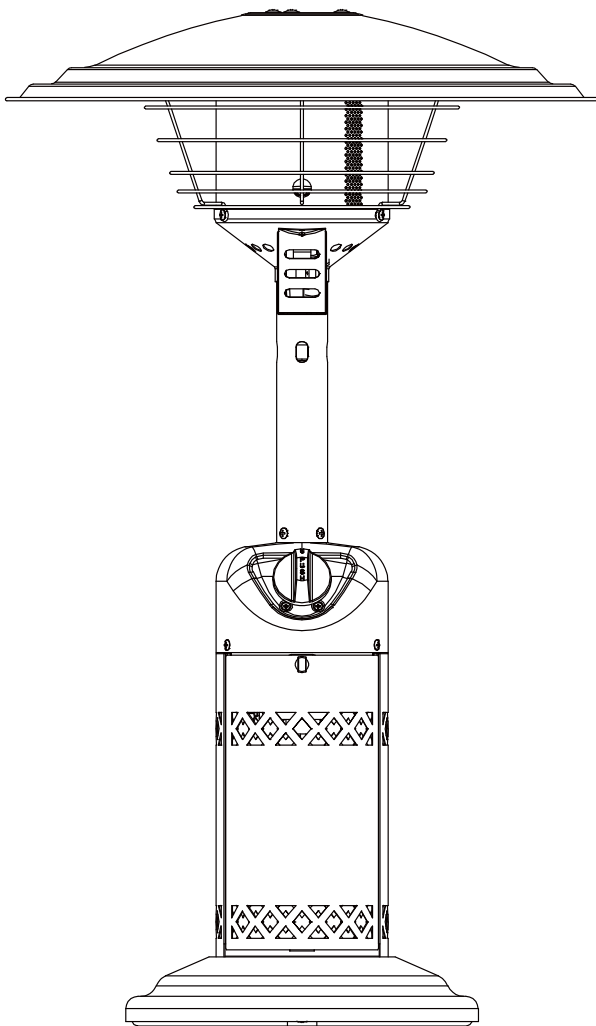




Bronze Tabletop Patio Heater



Owner's Manual

DANGER

If you smell gas:

1. Shut off gas to the appliance.
2. Extinguish any open flame.
3. If odor continues, keep away from the appliance and immediately call your gas supplier or fire department.

WARNING

Do not store or use gasoline or other flammable vapors and liquids in the vicinity of this or any other appliance.

An LP-cylinder not connected for use shall not be stored in the vicinity of this or any other appliance.

WARNING

For Outdoor Use Only.

CAUTION:

Installer: Leave the manual instructions to the user for future use.
Consumer: Please keep this manual for future reference.



Model#: SRPT03

Read the instructions before use.
This appliance must be installed in accordance with such regulations as are in force.

Questions, problems, missing / replacement parts? Before returning to your retailer, please call service department at 1-888-909-3888, 7:00am to 4:00pm PST, Monday-Friday, or send an e-mail to customerservice@shinerich.us.

PRECAUTIONS



DANGER



CARBON MONOXIDE HAZARD

This appliance can produce carbon monoxide which has no odor.

Using it in an enclosed space can kill you.

Never use this appliance in an enclosed space such as a camper, tent or home.



WARNING:

Improper installation, adjustment, alteration, services or maintenance can cause injury, death or property damage. Read the installation, operating and maintenance instructions thoroughly before installing or servicing this equipment.

SPECIFICATION

Certification	CSA
Rated Heat Input	10000BTU/hr
Fuel	LP
Gas Supply	16.4oz LP-Gas cylinder
Manifold Pressure	11.0" W.C.
Injector Size(diameter)	0.91mm
Safety Features	Flame failure device, anti-tilt switch & Oxygen Depletion Safety (ODS) pilot
Gas Supply Pressure	Max 250PSI, min 5PSI

PRECAUTIONS

NOTE: PLEASE READ THE FOLLOWING SAFETY RULES

WARNING:

The installation must conform with local codes or, in the absence of local codes, with the National Fuel Gas Code, ANSI Z223.1/NFPA 54, NFPA58 Natural Gas and Propane Installation Code, CSA B149.1, or Propane Storage and Handling Code, B149.2

The heater, when installed, must be electrically grounded in accordance with local codes or, in the absence of local codes, with the National Electrical Code, ANSI/NFPA 70, or the Canadian Electrical Code, CSA C22.1.

Prior to use, check for damaged parts such as tube, regulator, pilot or burner.

All leak tests should be done with a soapy solution. NEVER USE AN OPEN FLAME TO CHECK FOR LEAKAGE.

Children and adults should be alerted to the hazards of high surface temperatures and should stay away to avoid burns or clothing ignition.

Young children should be carefully supervised when they are in the area of the heater.

Clothing or other flammable materials should not be hung from the heater, or placed on or near the heater.

Any guard or other protective device removed for servicing the heater must be replaced prior to operating the heater.

Installation and repair should be done by a qualified service person. The heater should be inspected before use and at least annually by a qualified service person.

More frequent cleaning may be required as necessary. It is imperative that control compartment, burners and circulating air passageways of the heater be kept clean.

Keeping the appliance area clear and free from combustible materials, gasoline and other flammable vapors and liquids.

Not obstructing the flow of combustion and ventilation air.

Keeping the ventilation opening(s) of the cylinder enclosure free and clear from debris.

This appliance shall be used only in a well-ventilated space and shall not be used in a building, garage or any other enclosed area.

An appliance may be installed with shelter no more inclusive than:

With walls on all sides, but with no overhead cover.

Within a partial enclosure which includes an overhead cover and no more than two side walls. These side walls may be parallel, as in a breezeway, or at right angles to each other.

PRECAUTIONS

NOTE: PLEASE READ THE FOLLOWING SAFETY RULES

WARNING:

Within a partial enclosure which includes an overhead cover and three side walls, as long as 30 percent or more of the horizontal periphery of the enclosure is permanently open.

This appliance requires 16.4oz (1lb) LP_gas supply cylinder.

The LP-gas supply cylinder to be used must be: Constructed and marked in accordance with the Specifications for LP-gas cylinders of the U.S. Department of Transportation (DOT); or the Standard for Cylinders, Spheres and Tubes for Transportation of Dangerous Goods and Commission, CAN/CSA-B339, as applicable;

Provided with a listed overfilling prevention device; and provided with a cylinder connection device compatible with the connection for the appliance.

The cylinder be disconnected when the appliance is not in use.

Storage of an appliance indoors is permissible only if the cylinder is disconnected and removed from the appliance.

A cylinder must be stored outdoors in a well-ventilated area out of the reach of children. A disconnected cylinder must have dust caps tightly installed and must not be stored in a building, garage or any other enclosed area.

Do not store a spare LP-gas cylinder under or near this appliance;

Never fill the cylinder beyond 80 percent full;

Do not clean the heater with cleaners that are combustible or corrosive.

Place the dust cap on the cylinder valve outlet whenever the cylinder is not in use. Only install the type of dust cap on the cylinder valve that is provided with the cylinder valve. Other types of caps or plugs may result in leakage of propane.

Certain materials or items, when stored under the heater, will be subjected to radiant heat and could be seriously damaged.

WARNING

This product can expose you to chemicals including lead, which is known to the State of California to cause cancer, and carbon monoxide, which is known to the State of California to cause birth defects or other reproductive harm. For more information, go to: www.P65Warnings.ca.gov.

WARNINGS AND CAUTIONS

NOTE: PLEASE READ THE FOLLOWING SAFETY RULES:

Perform a leak test with a soapy solution:

1. To check gas connections.
2. After connecting a new cylinder.
3. Upon re-assembly after disassembly.

This heater is designed to operate with a standard 1 lb propane cylinder with Approved Cylinder Connection.

PREPARATION

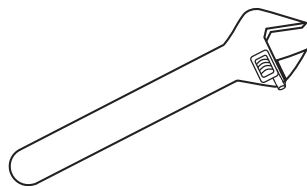
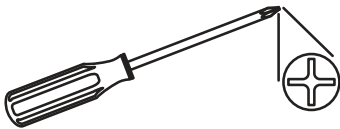
Before beginning assembly of product, make sure all parts are present. If any part is missing or damaged, do not attempt to assemble the product. Contact customer service for replacement parts.

TOOLS NEEDED: (NOT INCLUDED)

Adjustable open end wrench

Philips screwdriver




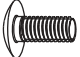
Estimated time for assembly: 15 minutes.

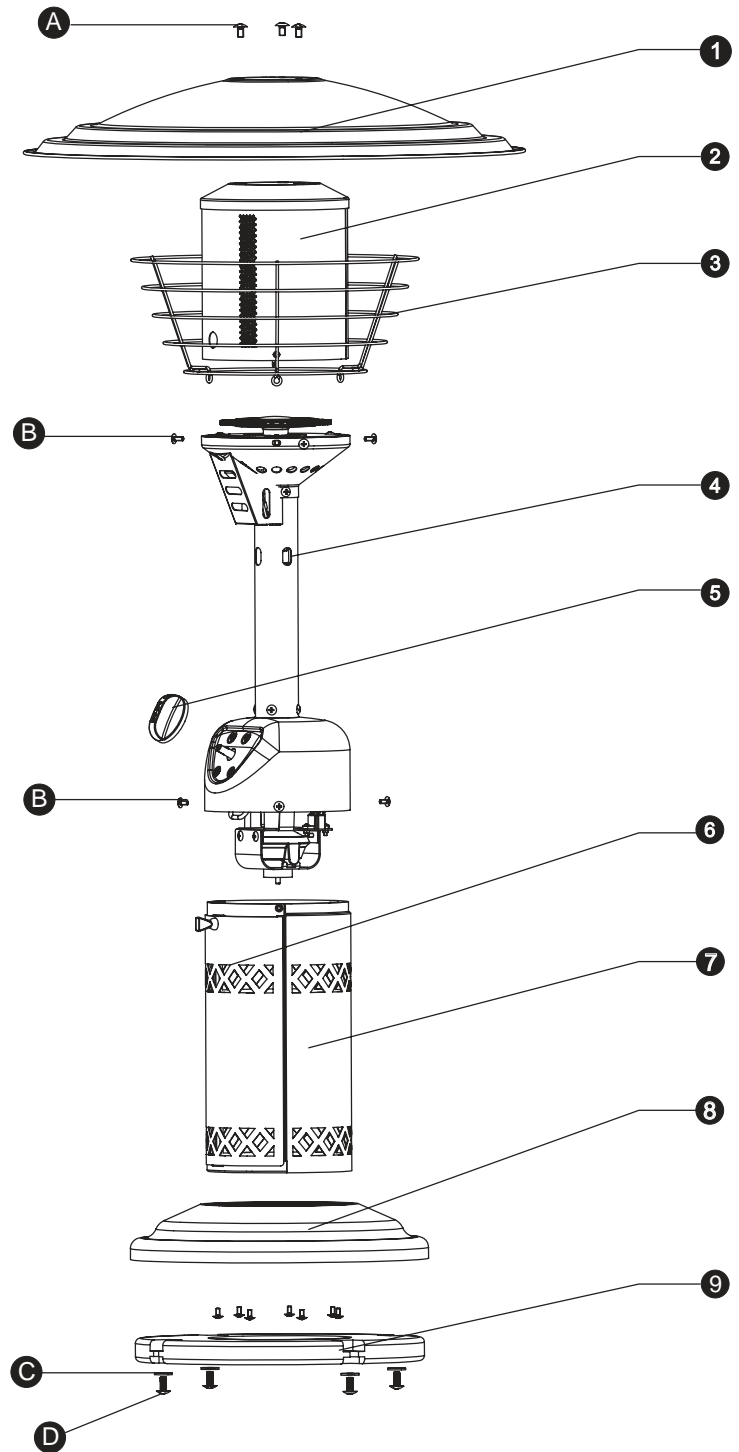


PARTS LIST

Please check the contents of the packaging as to whether anything is missing!

Part #	Description	Qty
1	Reflector dome	1
2	Emitter screen	1
3	Emitter screen shield	1
4	Burner column	1
5	Control knob	1
6	Door	1
7	Fixed panel	1
8	Base	1
9	Weight block	1

Hardware#	Description	Qty	Picture
A	M6 x 10 bolt	3	
B	M4 x 10 bolt	13	
C	6mm Washer	4	
D	M6 x 14 bolt	4	



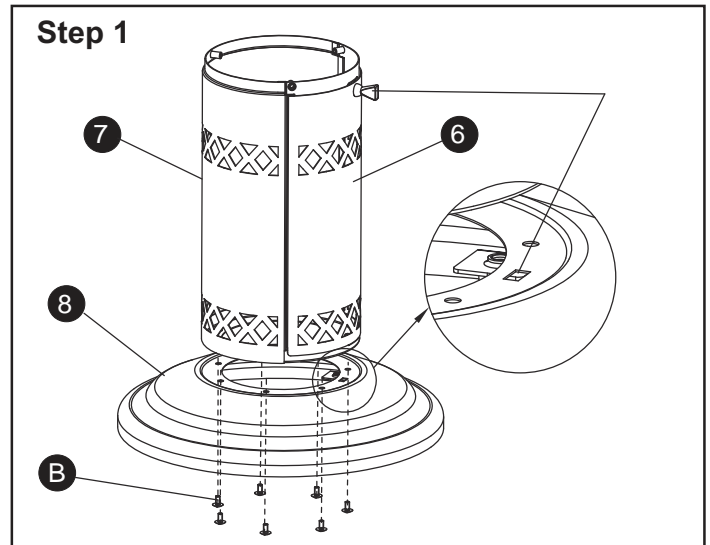
ASSEMBLY

WARNING : ONLY AN AUTHORIZED GAS TECHNICIAN SHOULD INSTALL THIS PRODUCT.

Step 1

Attach door & fixed panel (6 & 7) to base (8) using 7pcs M4 x 10 bolts (B).

Note: Make sure the handle of door align to the rectangle hole on the base.

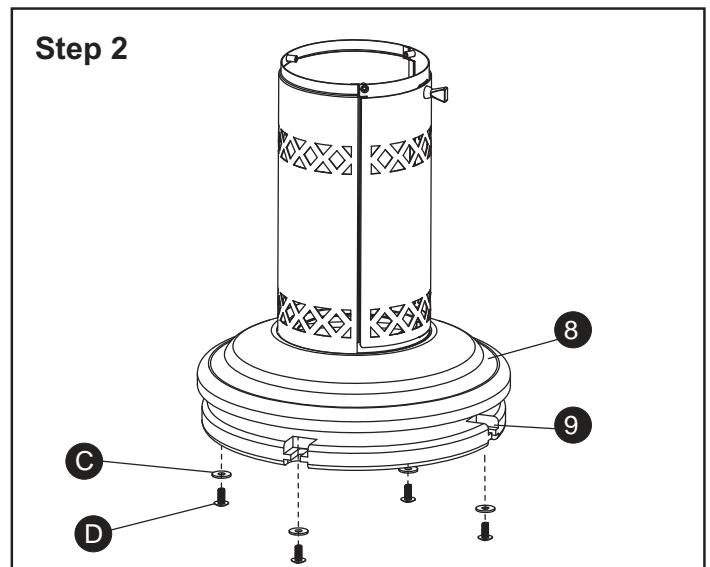


Hardware Used

B M4 x 10 bolt  X 7

Step 2

Attach weight block (9) to base (8) using 4pcs M6 x 14 bolts (D) and 4pcs 6mm washers (C).



Hardware Used

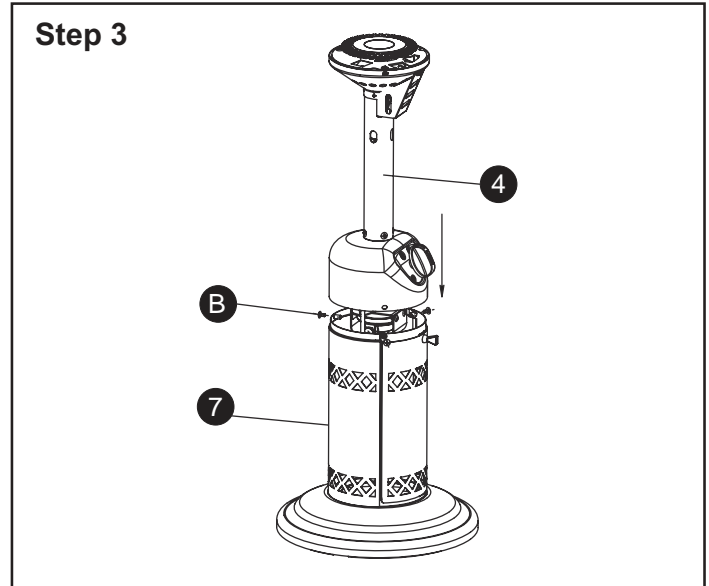
C 6mm washer  X 4

D M6 x 14 bolt  X 4

ASSEMBLY

Step 3

Attach the burner column (4) to the fixed panel (7) using 3pcs M4 x 10 bolts (B).



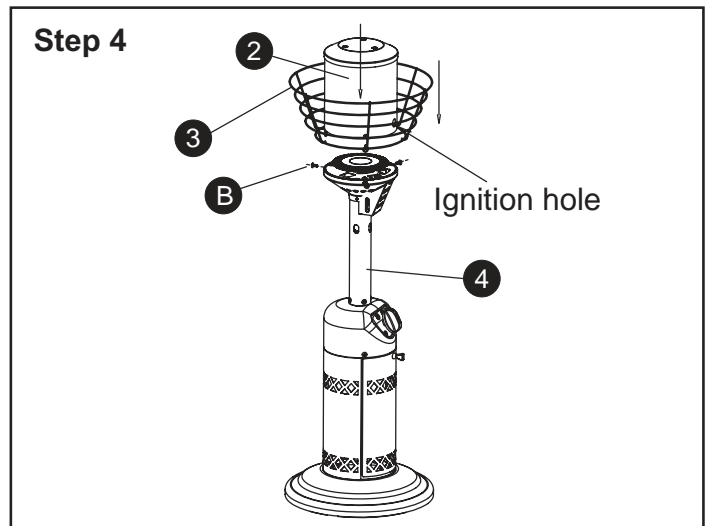
Hardware Used

B M4 x 10 bolt  X 3

Step 4

Attach emitter screen (2) and emitter screen shield (3) to burner column (4) using 3pcs M4 x 10 bolts (B).

Note: The ignition hole on emitter screen must align with the control knob.



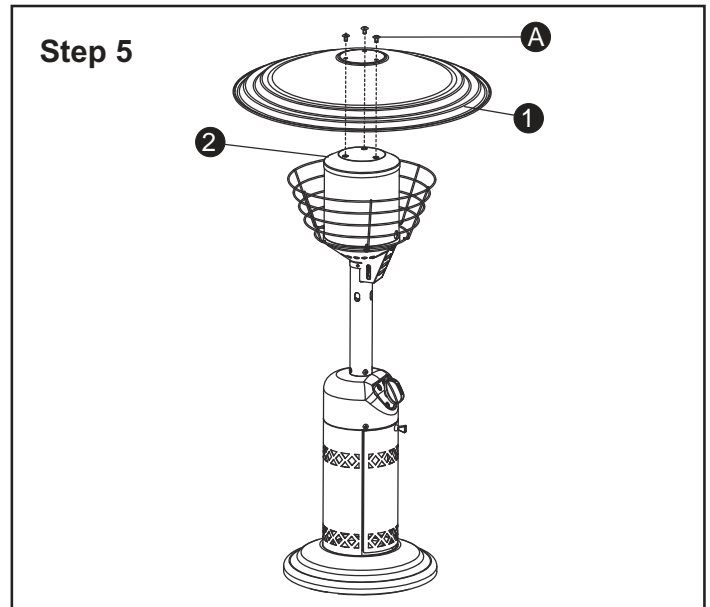
Hardware Used

B M4 X10 bolt  X 3

ASSEMBLY

Step 5

Attach reflector dome (1) to emitter screen (2) using 3pcs M6 x 10 bolts (A).



Hardware Used

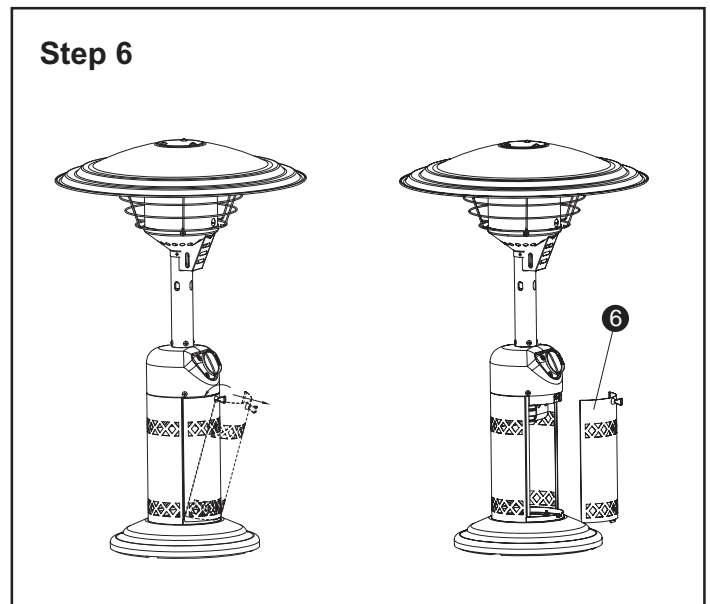
A M6 x 10 bolt



X 3

Step 6

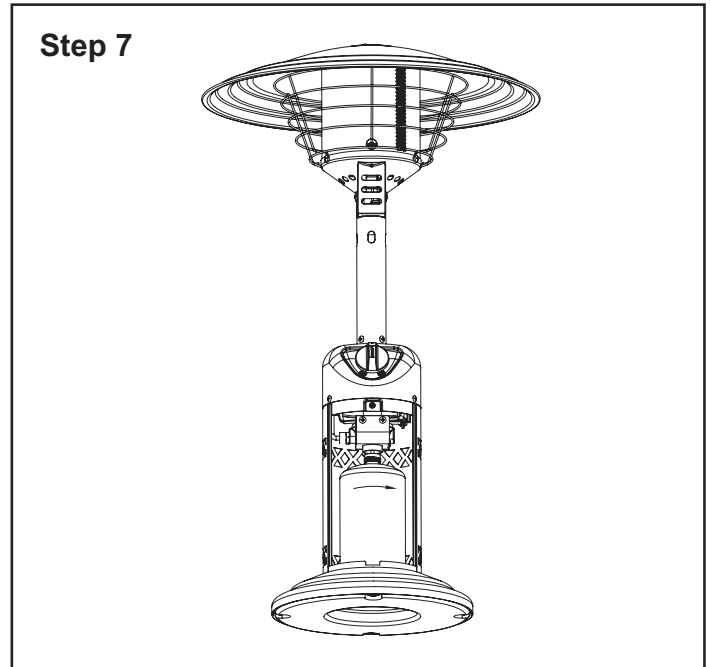
Rotate counter clockwise and pull handle on door as illustrated direction, remove door.



ASSEMBLY

Step 7

Align the nozzle of the LP cylinder with the regulator and turn counter clockwise to tighten. Install the door (6) back to position.



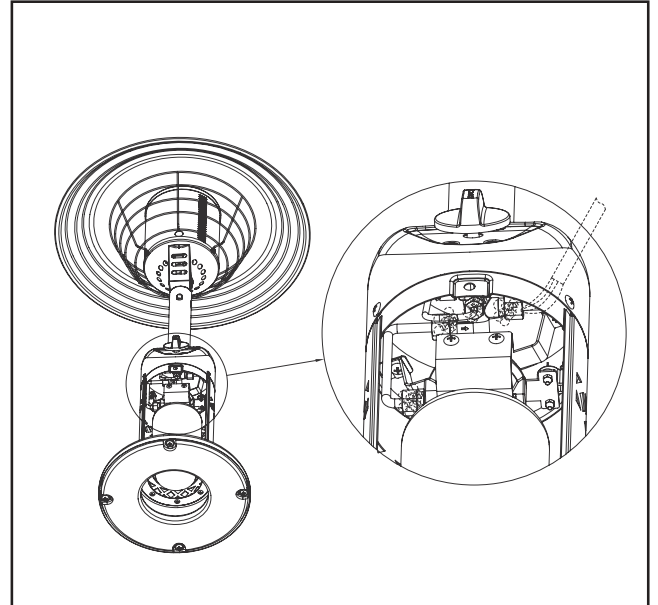
Check for leak

Your patio heater has been checked at all factory connections for leakage. To check the connections at the tube/regulator/cylinder.

- 1) Make leakage solution by mixing 1 part liquid dish soap and 3 parts water.
- 2) Spoon several drops (or use squirt bottle) of the solution onto the tube/regulator/cylinder connections.
- 3) Inspect the connections and look for bubbles.
- 4) If no bubble appears, the connection is safe.
- 5) If bubble appears, there is leak; loosen and re-tighten this connection. If still leak, please send an e-mail to customerservice@shinerich.us.

Disconnected cylinder when storage or transportation

- 1) Turn the knob at "OFF" position.
- 2) Open the access door, turn clockwise to disconnect cylinder from regulator.



This product is equipped with ODS (Oxygen Deprivation System)

WARNING: DO NOT ATTEMPT TO OPERATE HEATER UNTIL YOU HAVE READ AND UNDERSTAND ALL PRECAUTION . FAILURE TO DO SO CAN RESULT IN SERIOUS PERSONAL INJURY, DEATH, OR PROPERTY DAMAGE.

Before turning gas supply ON

Your heater was designed and approved for OUTDOOR USE ONLY. DO NOT use it inside a building or any other enclosed area.

Make sure surrounding areas are free of combustible materials, gasoline, and other flammable vapors or liquids.

Ensure that there is no obstruction to air ventilation.

Be sure all gas connections are tight and there are no leaks.

Be sure the access panel is clear of debris.

Be sure any component removed during assembly or servicing is replaced and fastened prior to starting.

Before Lighting

Heater should be thoroughly inspected before each use, and by a qualified service person at least annually.

If relighting a hot heater, always wait at least 5 minutes.

Lighting instructions

1. Turn the control knob to "OFF" position.
2. Open base assembly door.
3. Turn counter-clockwise to connect cylinder with regulator inlet.

WARNING

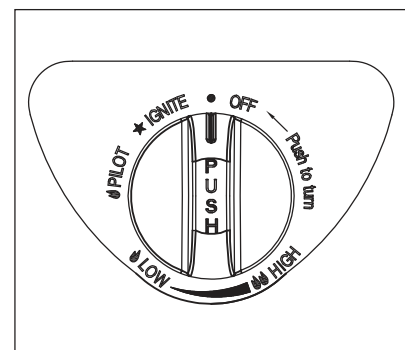
FOR YOUR SAFETY:

If at any time you are unable to light burner and smell gas, wait 5 minutes to allow gas to dissipate before attempting to light heater. If after 1 minute, you are unable to light burner, wait 5 minutes and allow flammable vapors to dissipate before attempting to light heater.

WARNING

FOR YOUR SAFETY:

DO NOT touch or move heater for at least 45 minutes after use. Allow emitter and dome to cool before touching.

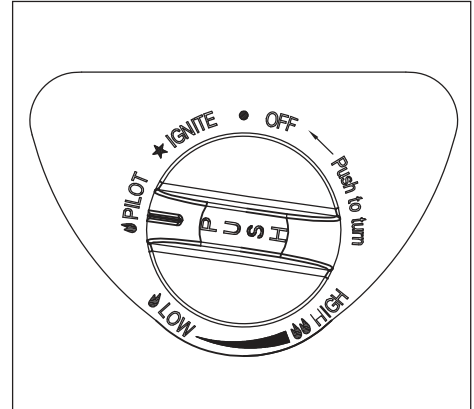


4. Push in gas control knob and turn counter clockwise to "IGNITE" then to "PILOT" position, this will light the pilot. If needed, keep depressing and turning control knob counter clockwise until the pilot lights. (You will hear 1 clicking noise)
5. Once the pilot is lit, keep the control knob depressed for approx. 30 seconds. Then release the control knob.
6. If pilot does not stay lit, repeat steps 4 and 5 after 5 minutes.
7. If pilot still does not stay lit, proceed as follows:
 - a) Push in gas control knob and turn counter clockwise to the "PILOT" position.
 - b) Keep depressing the control knob, put a long stem lighter into the ignition hole on the emitter screen to light the pilot.
 - c) Repeat step 5.
8. Push in and turn control knob between "LOW" and "HIGH" to get your desired warmth.
9. Close base assembly door.

Flame Characteristic

The flame pattern at the emitter screen should be visually checked whenever heater is operated. Normally the burner flame is blue, but little yellow flame is acceptable.

If flames extend beyond surface of the emitter grid , or the phenomena of flame lift or light back, or black spot is accumulating on the emitter grid or reflector, the heater should be **turned off** immediately. The heater should not be operated again until the unit is serviced and or repaired.



OPERATION

CAUTION : AVOID INHALING FUMES EMITTED FROM THE HEATER'S FIRST USE. SMOKE AND ODOR FROM THE BURNING OF OILS USED IN MANUFACTURING WILL APPEAR. BOTH SMOKE AND ODOR WILL DISSIPATE AFTER APPROXIMATELY 30 MINUTES. THE HEATER SHOULD NOT PRODUCE THICK BLACK SMOKE.

NOTE:

The burner may be noisy when initially turned on. To eliminate excessive noise from the burner, turn the Control Knob to the "LOW" position. Then, turn the knob to the level of heater desired.

When heater is ON:

Emitter screen will become bright red due to intense heat. The color is more visible at night. Burner will display tongues of blue flame. These flames should not be yellow or produce thick black smoke, indicating an obstruction of airflow through the burners.

Operation pressure checked:

If the flame is very small, this is because the supply pressure is not enough. Please refill gas cylinder.

Re-light:

- 1) Turn the control knob to "OFF" position.
- 2) Wait five (5) minutes before attempting to relight pilot.
- 3) Repeat steps beginning with step 4 of the lighting instruction above.

Shut down instructions:

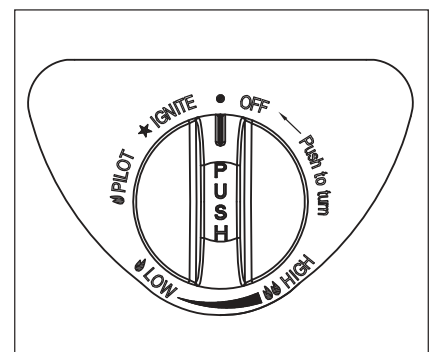
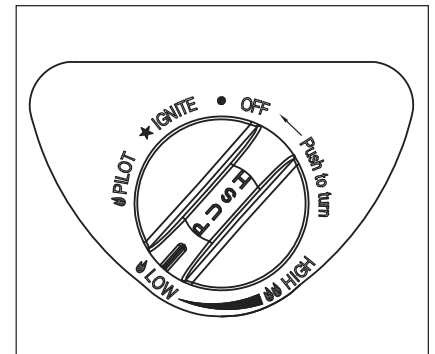
- 1) Push in and turn control knob clockwise to "OFF" position.
- 2) Turn clockwise to disconnect cylinder from regulator when heater is not in use.

Note: After use, some discoloration of the emitter screen is normal.

The Event of Gas Leakage:

- 1) Turn the control knob to "OFF" position.
- 2) Turn clockwise to disconnect cylinder from regulator.
- 3) Wait 5 minutes to allow gas to dissipate.
- 4) If odor continues, immediately call gas supplier.

WARNING : Heater will be hot after use.
Handle with extreme care.



LOCATING HEATER FOR USE

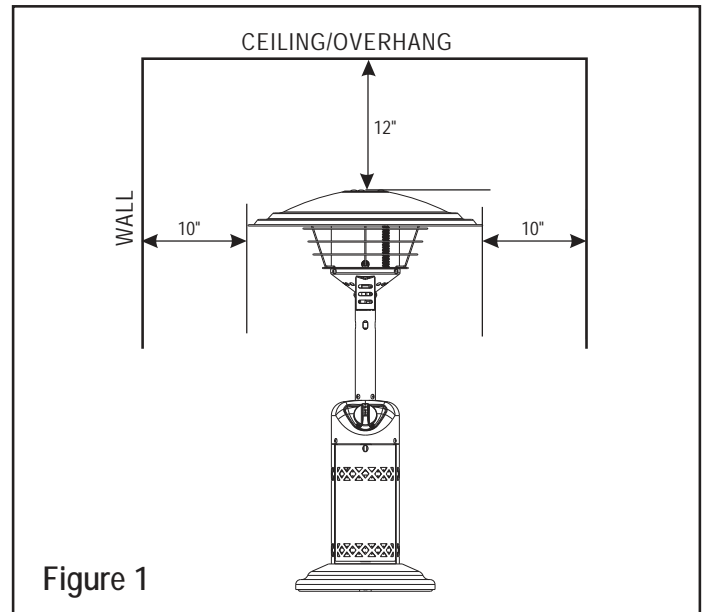
CAUTION: WHEN CERTAIN MATERIALS OR ITEMS ARE LEFT, ABOVE, BESIDE OR UNDER THIS HEATER WHILE IN USE, THEY WILL BE SUBJECT TO RADIANT HEAT AND COULD BE SERIOUSLY DAMAGED.

This heater is primarily used for the heating of outdoor patios, decks, spas, pools and open working areas.

Always make sure that adequate fresh air ventilation is provided. Follow the spacing tolerances shown in Figure 1 at all times.

This heater must be placed on level, firm ground.

Never operate in an explosive atmosphere. Keep away from areas where gasoline or other flammable liquids or vapors are stored or used.

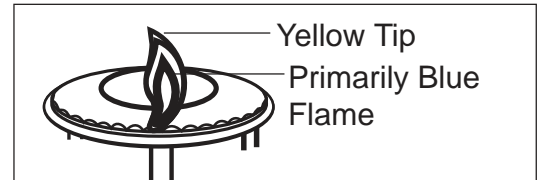


MAINTENANCE/STORAGE

CLEANING AND MAINTENANCE :

To enjoy years of outstanding performance from your heater make sure you perform the following maintenance activities on a regular basis:

- Keep exterior surfaces clean.
- Use warm soapy water for cleaning. Never use flammable or corrosive cleaning agents.
- While washing your unit, be sure to keep the area around the burner and pilot assembly dry at all times. If the gas control is exposed to water in any way, do NOT try to use it. It must be replaced.
- Keep the appliance area free and clean from combustible materials, gasoline or other flammable vapors and liquids.
- Visually check burner flames.
- **At least once a year, the unit should be inspected** for the presence of spiders, spider webs or other insects.
- Air flow must be unobstructed. Keep controls, burner, and circulating air passageways clean. Signs of possible blockage include:
 - Gas odor with extreme yellow tipping of flame.
 - Heater does NOT reach the desired temperature.
 - Heater glow is excessively uneven.
 - Heater makes popping noises.
- Spiders and insects can nest in burner or orifices. This dangerous condition can damage heater and render it unsafe for use. Clean burner holes by using a heavy-duty pipe cleaner. Compressed air may help clear away smaller particles.
- Carbon deposits may create a fire hazard. Clean dome and engine with warm soapy water if any carbon deposits develop.



WARNING:
FOR YOUR SAFETY ;
DO NOT touch or move heater for at least 45 minutes after use. Allow all burner elements to cool before touching.

NOTE:
In a salt-air environment (such as near an ocean), corrosion occurs more quickly than normal. Frequently check for corroded areas and repair them promptly.

NOTE:
wait until heater is cool before covering.

STORAGE:

Between uses:

- Turn the control knob to "OFF" position.
- Turn clockwise to disconnect cylinder from regulator.
- Store heater upright in an area sheltered from direct contact with inclement weather (such as rain, sleet, hail, snow, dust and debris).
- If desired, cover heater to protect exterior surfaces and to help prevent build up in air passages.

During periods of extended inactivity or when transporting;

- Turn the control knob to "OFF" position.
- Disconnect the cylinder from the regulator by turning clockwise and move to a secure, well-ventilated location outdoors. DO NOT store in a location that will exceed 125 degrees F.
- Store heater upright in an area sheltered from direct contact with inclement weather (such as rain, sleet, hail, snow, dust and debris).
- If desired, cover heater to protect exterior surfaces and to help prevent build up in air passages.

NOTE:

wait until heater is cool before covering.

TROUBLESHOOTING

PROBLEM	PROBABLE CAUSE	SOLUTION
Pilot will not light	Gas valve may be OFF	Turn the gas valve ON
	Tank fuel empty	Refill LP gas tank
	Air in supply system	Purge air from lines
	Loose connection	Check all fittings
Pilot will not stay on	Debris around pilot	Clean dirty area
	Loose connection	Tighten connection
	Thermocouple	Contact customer service
	Gas leak in line	Check connections
	Lack of fuel pressure	Fuel tank is near empty
Burner will not light	Pressure is low	Fuel tank is near empty
	Control valve not ON	Turn valve to ON
	Thermocouple broken	Contact customer service
	Pilot light assembly bent or not in correct location	Contact customer service

ONE-YEAR LIMITED WARRANTY

What is covered under this warranty?

This product is covered under the Manufacturers Limited Warranty. To ensure your complete satisfaction, this warrants to the original purchaser that this furniture is free from defects in material and workmanship as of the date of purchase and that it will, under normal use and proper care, remain so for one year after the date of purchase. Replacement of missing or initially defective parts will be sent at no charge for a period of 10 days from date of purchase. The manufacturer and retailer will not be responsible for missing parts and/or hardware after 10 days from date of purchase.

Warranty does not cover:

Freight and packaging charges to and from our customer service center remain the customer's responsibility. Labor or material charges to remove or replace parts are not covered under this warranty. Any floor sample sales or clearance sales from the store are not covered by this warranty. Furniture used for commercial purposes; failures caused by improper care; unreasonable or abusive use; damage by modification or alteration; freeze damage; acts of nature; rust; fabric stains; ripping or fading; purchased parts; or return freight and packaging charges are not covered under this warranty. Proof of purchase (dated register receipt) is required for warranty claims.



Need help?
call our toll free number at:

1-888-909-3888 or

email us at:

customerservice@shinerich.us